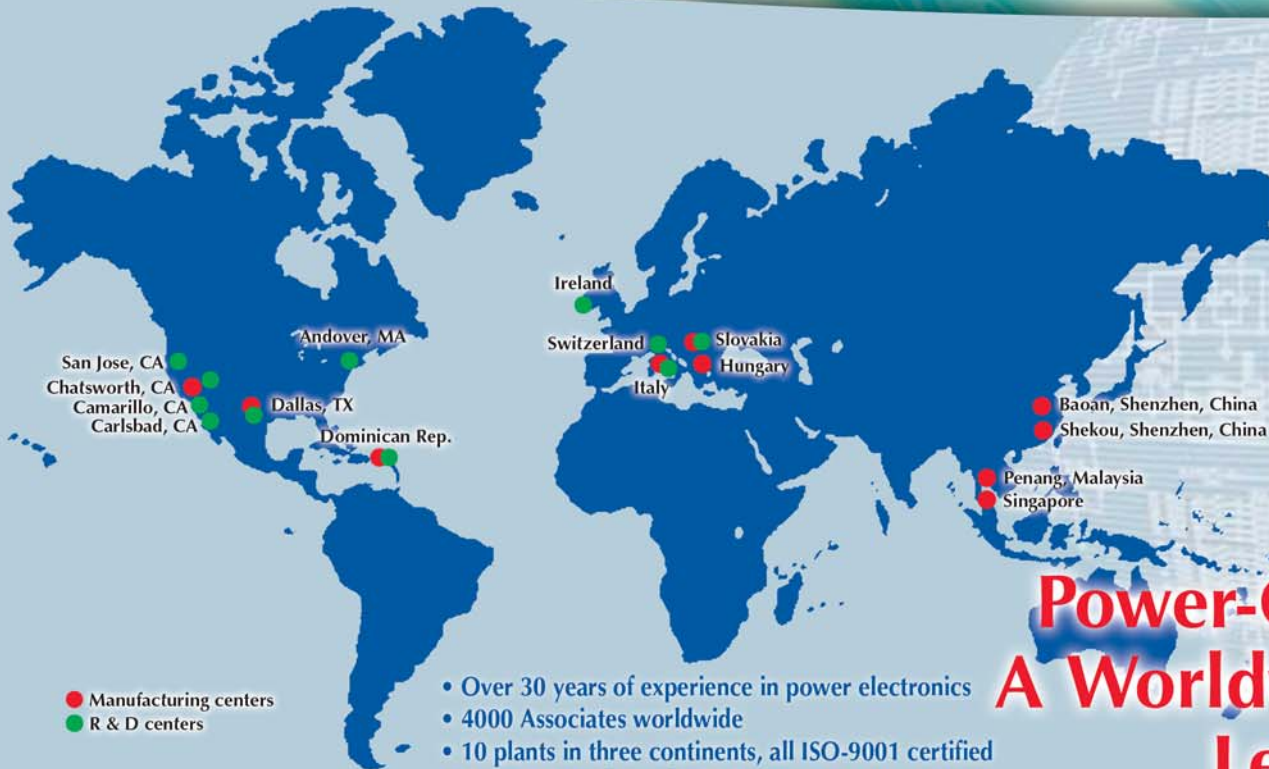


**power-one**<sup>®</sup>  
*Changing the Shape of Power*

**MWI**

Multimode Wind Inverter



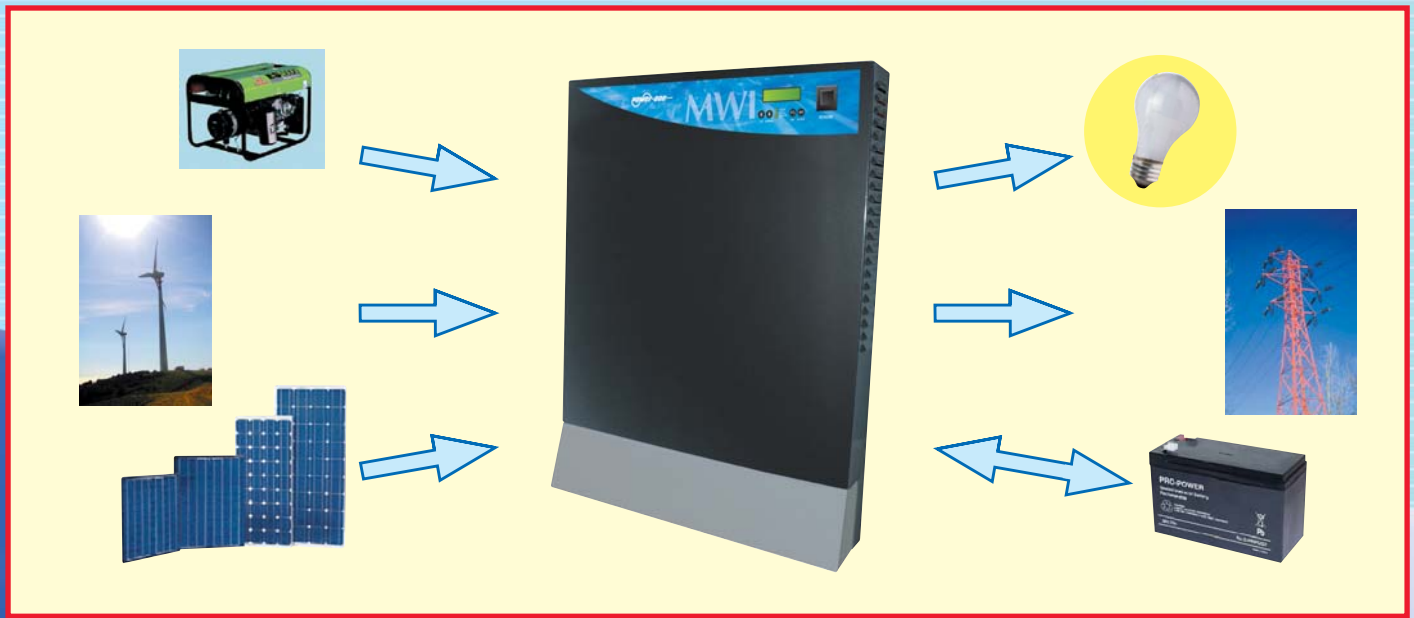


## Power-One, A Worldwide Leader

If you are looking for the complete power interface for your small power windmill, Power-One's Multimode Wind Inverter (MWI) is simply the best solution for you. With more than 30 years experience as a world leader in power electronics for the most advanced markets and applications such as telecom, datacom and information technology, Power-One is now establishing a new market reference in Alternative Energies for residential and commercial applications.

**Power-One's MWI is the most versatile and compact complete power interface available on the market.**

- It is a multimode inverter because it can work both in grid-tied configuration as well as in stand-alone configuration with automatic switch, with UPS-like capability in case of grid failure.
- It is a multisource inverter because, in addition to your small power windmill, you can also connect an auxiliary photovoltaic array and a genset, as well as a storage battery.
- It is a universal inverter because the same box will work in any country, 50 or 60Hz, 230Vac or 115Vac with split-phase configuration.

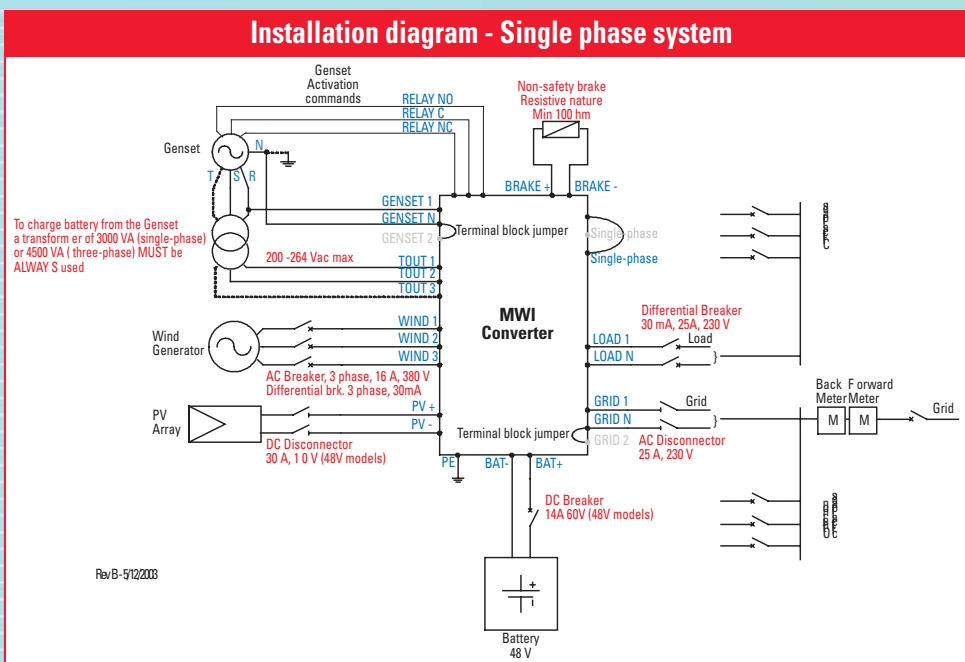


Power-One's MWI delivers those top performances that you can expect from a world leader in power electronics:

- Very compact design
- High efficiency: up to 90% from renewable source to AC load
- Personalized control software to best adapt to the power curve of your windmill
- True Sine Wave Output, 230V single-phase or 115V split-phase, 50Hz - 60 Hz
- Grid connected operation according to the most important IS
- LCD Display on the front panel to monitor and set the main parameters
- RS232-RS485 serial link for remote communication
- Designed for maximum reliability and useful life
- Lightweight and robust construction, IP21 protection degree

### Design excellence

The high quality of our design includes full DSP digital power control, and the most advanced IGBT technology. The MWI includes all the protections and diagnostic features required to be connected to the distribution grid according to UL, VDE, ENEL AND JAPAN STANDARDS.

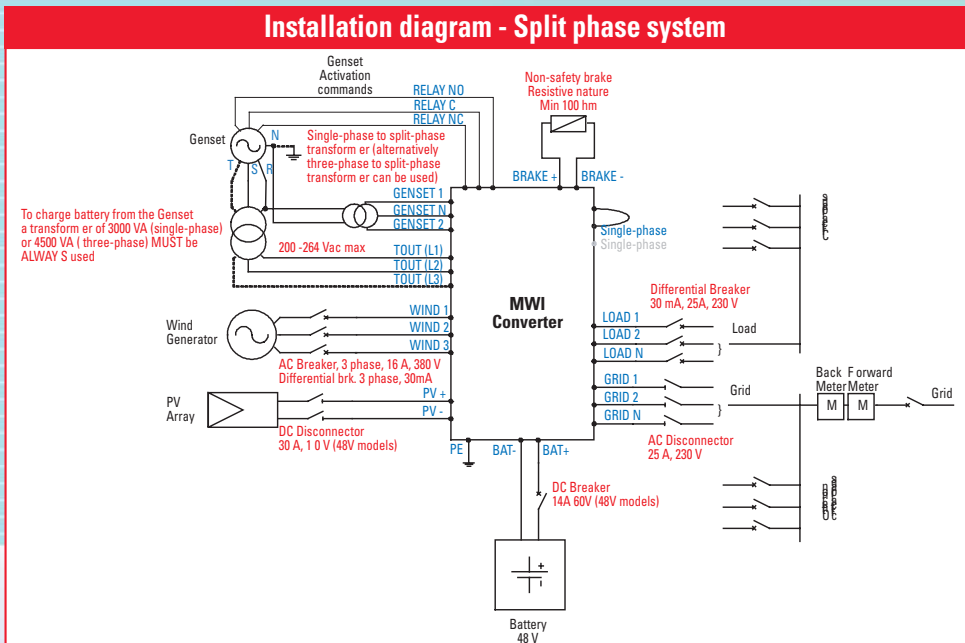


### Product offering

Power-One offers 2 basic models of MWI converter, depending on the type of output.

If you think that our standard product does not fit your needs we will work with you to personalize and optimize the product for your applications.

Model Number	Output Power	Battery Voltage
MWI-5000-48	5000W	48Vdc Single phase output
MWI-5000-48D	5000W	48Vdc Single or split phase





**Europa**

**Power-One Italy S.p.a.**

Via S. Giorgio 642

52028 Terranuova Bracciolini, Arezzo, Italy

Phone: (+39) 055.9195.1

Fax: (+39) 055.9198.185

[aesales-eu@power-one.com](mailto:aesales-eu@power-one.com)

**North America**

**Power-One Inc.**

740 Calle Plano

Camarillo, California

93012-8583

[aesales-us@power-one.com](mailto:aesales-us@power-one.com)

[www.power-one.com](http://www.power-one.com)